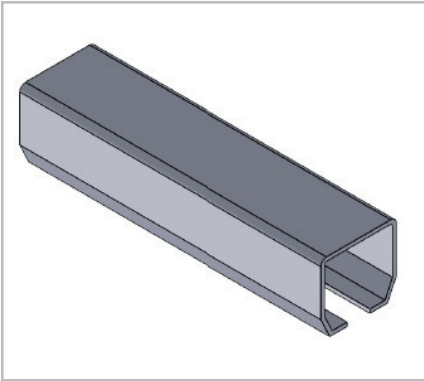
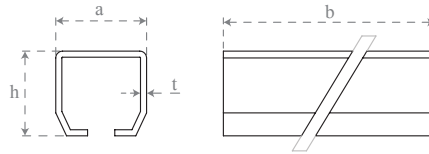


R3028R2 / R3028R4

C-Rail

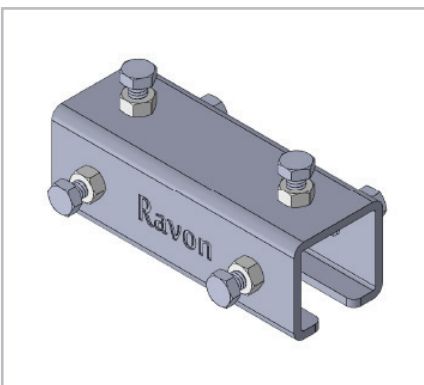


Product Code	Material	Weight kg/mt	Supply Lengths (b)	Dimensions (mm)			
				a	h	t	b
R3028R2	Steel (Galvanised)	1,10	4 mt	30	28	1,5	4 mt
R3028R4	Steel (Galvanised)	1,48	4 mt	30	28	2	4 mt

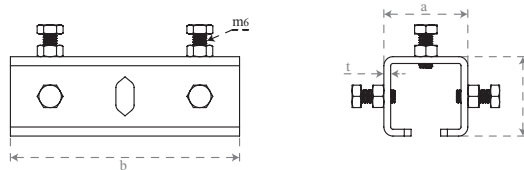


R3028E2

Splice Joint

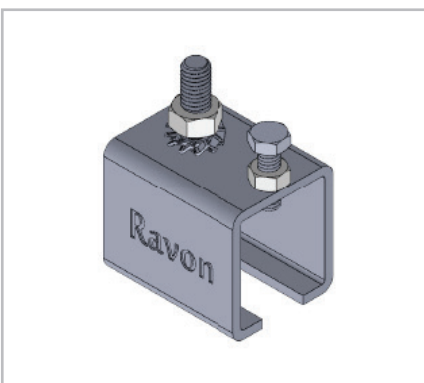


Product Code	R3028E2
Material	Steel (Galvanised)
Weight kg	0,28
Dimensions / mm	a
	h
	b
	t
	37
	35
	100
	3

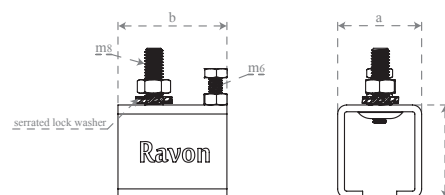


R3028A2

Support Bracket (with one connection bolt)

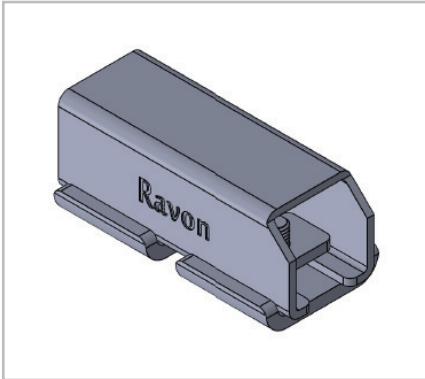


Product Code	R3028A2
Material	Steel (Galvanised)
Weight kg	0,18
Dimensions / mm	a
	b
	h
	37
	48
	41

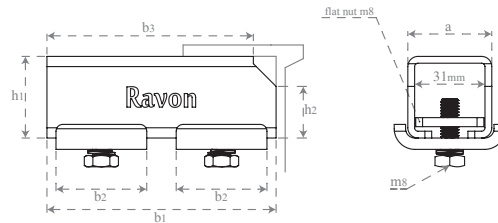


R3010K

Welding Support Attachment (3010 series)

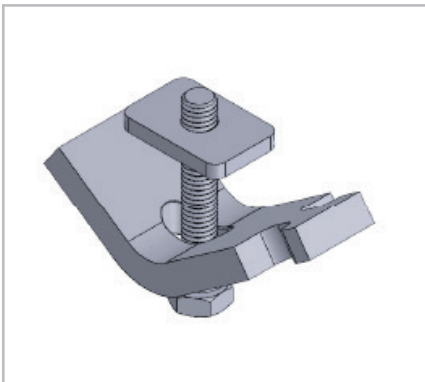


Product Code	R3010K					
Material	Steel					
Weight kg	0,35					
Dimensions / mm	a1	b1	b2	b3	h1	h2
	37	100	40	90	36	22

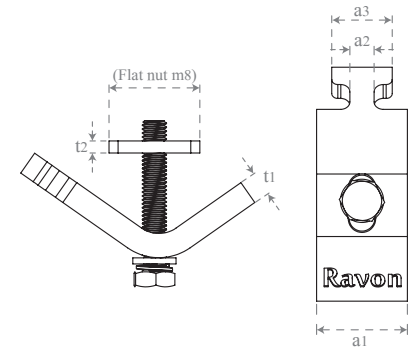


R3010C2

Support Clamp (3010 series)

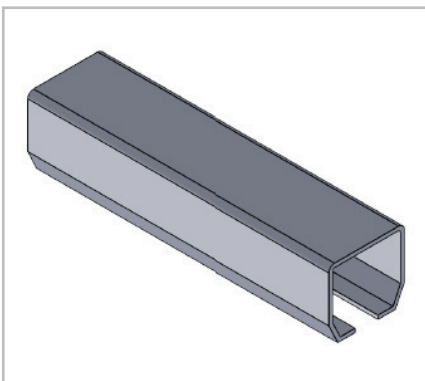


Product Code	R3010C2				
Material	Steel (Galvanised)				
Weight kg	0,18				
Dimensions / mm	a1	a2	a3	t1	t2
	30	8	20	8	4

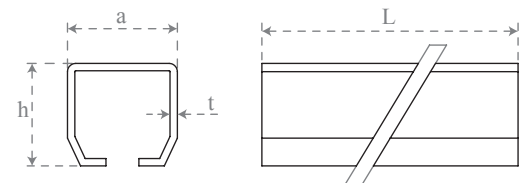


R3010B/....

Support Bars (3010 series)

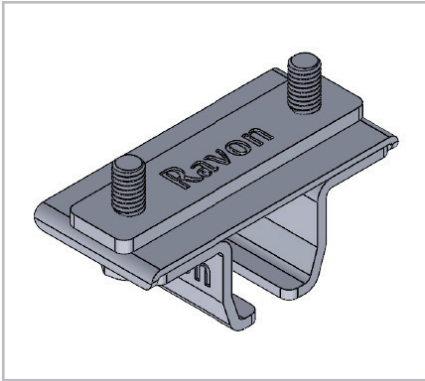


Product Code	R3010B/....		
Material	Steel (Galvanised)		
Weight kg/mt	1,48		
Dimensions / mm	a	h	t
	30	28	2

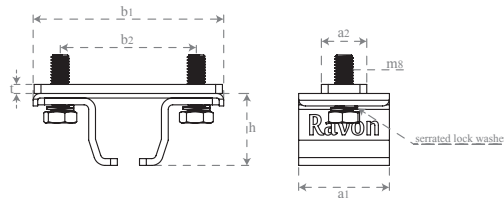


R3010D2

Sliding Support Bracket (suitable for 3010 series)

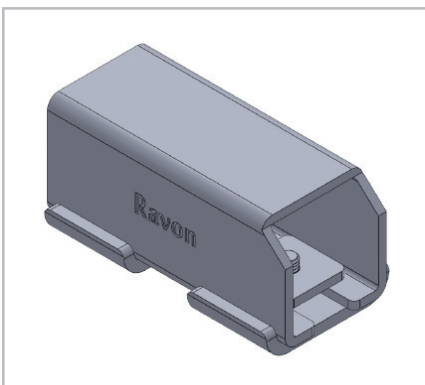


Product Code	R3010D2					
Material	Steel (Galvanised)					
Weight kg	0,23					
Dimensions / mm	a1	a2	b1	b2	h	t
	40	20	84	60	32	4

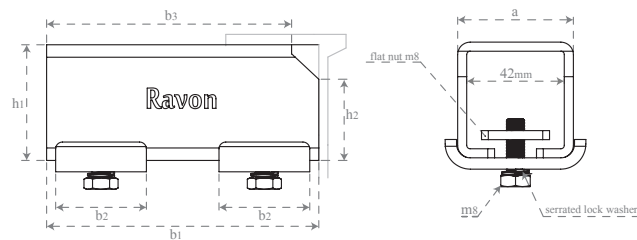


R3012K

Welding Support Attachment (3012 series)

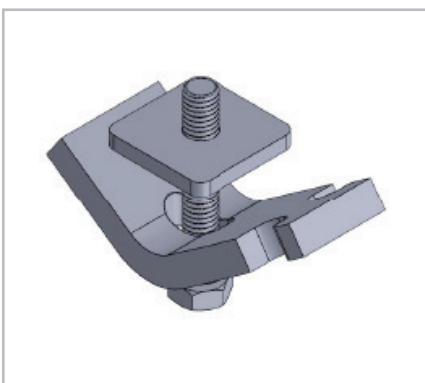


Product Code	R3012K					
Material	Steel					
Weight kg	0,70					
Dimensions / mm	a	b1	b2	b3	h1	h2
	52	120	40	108	52	36

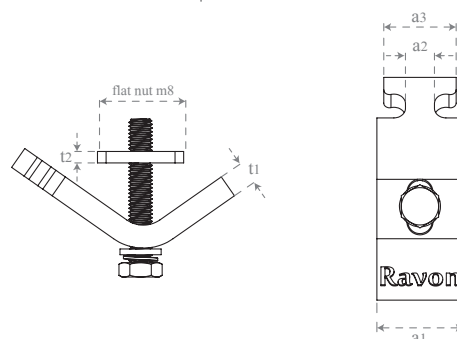


R3012C2

Support Clamp (3012 series)

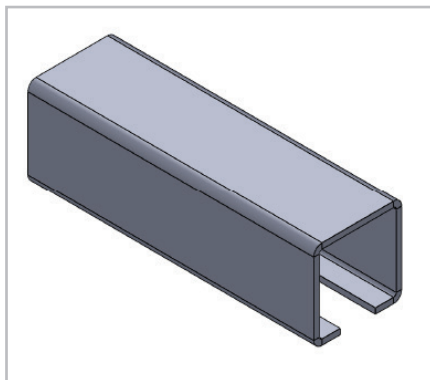


Product Code	R3012C2				
Material	Steel (Galvanised)				
Weight kg	0,20				
Dimensions / mm	a1	a2	a3	t1	t2
	30	10	25	8	4

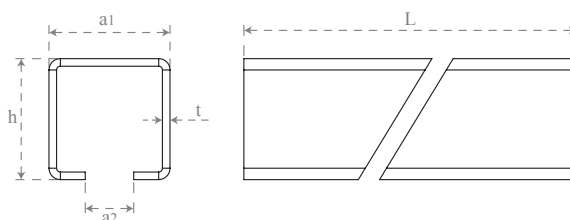


R3012B/...

Support Bars (3012 series)

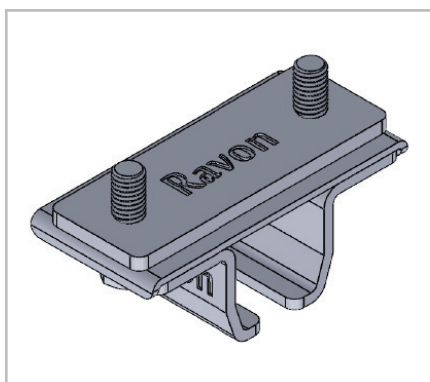


Product Code	R3012B/...			
Material	Steel (Galvanised)			
Weight kg/mt	2.60			
Dimensions / mm	a1	a2	h	t
	40	14	40	2,5

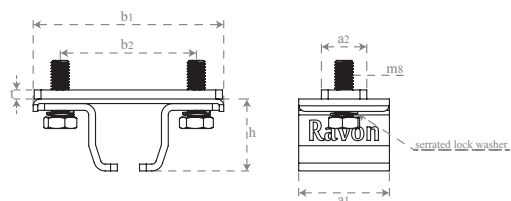


R3012D6

Sliding Support Bracket (suitable for 3012 series)

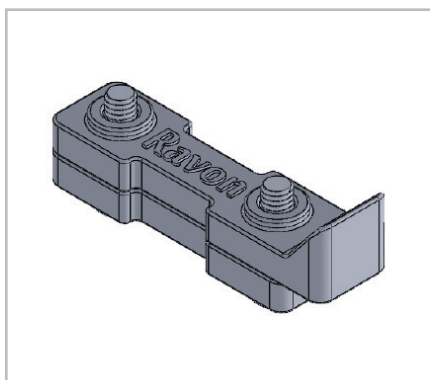


Product Code	R3012D6					
Material	Steel (Galvanised)					
	0.25					
Dimensions / mm	a1	a2	b1	b2	h	t
	50	30	110	75	47	4

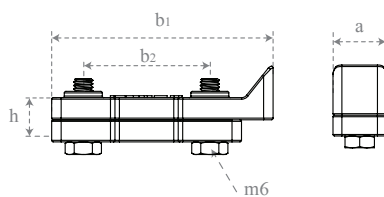


R3028L1

End Stop Plastic



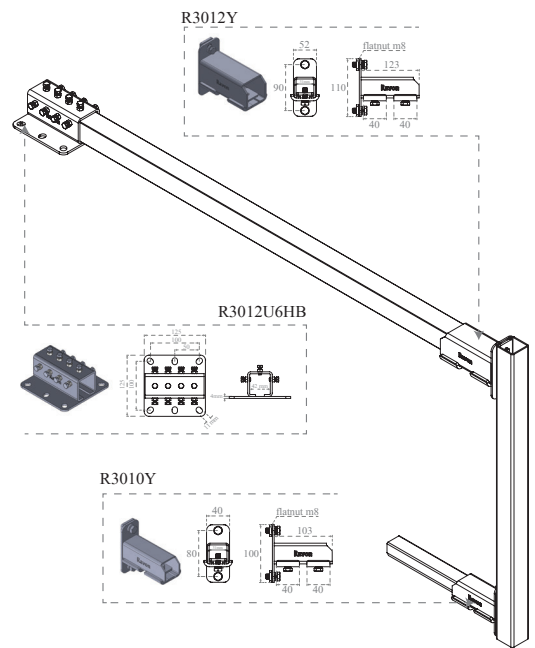
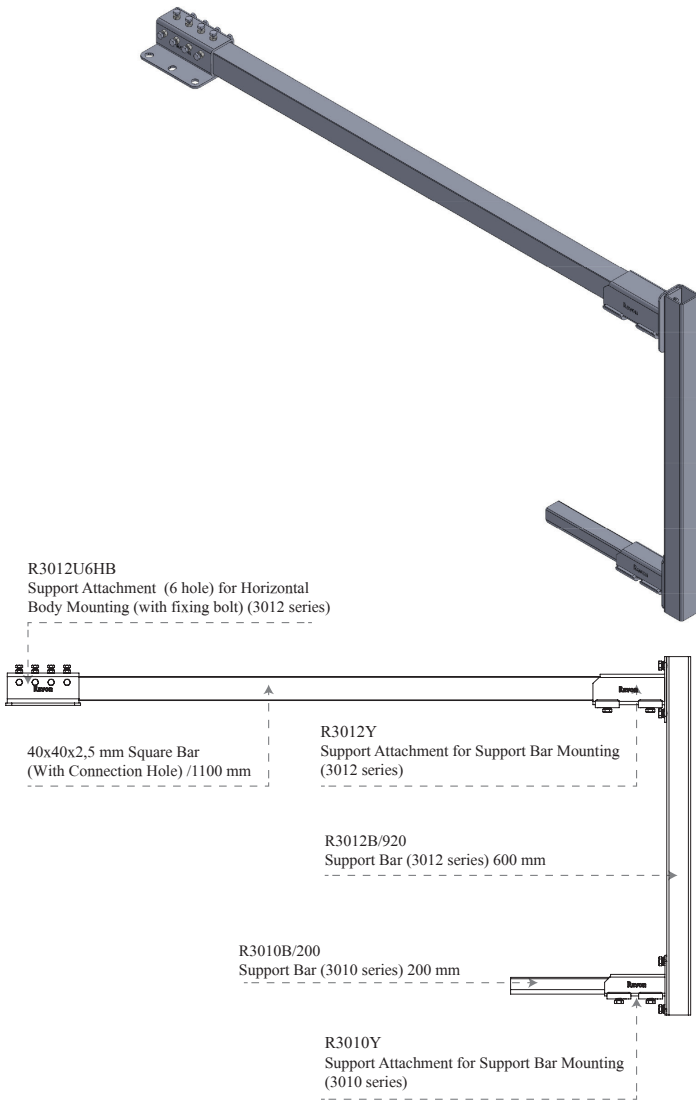
Product Code	R3028L1			
Material	Polyamid			
Weight kg	0,04			
Dimensions / mm	a	b1	b2	h
	18	70	40	14



R3008A

Tow Arm Sets (A Type)

Product Code	R3008A
Material	Steel (Galvanised)



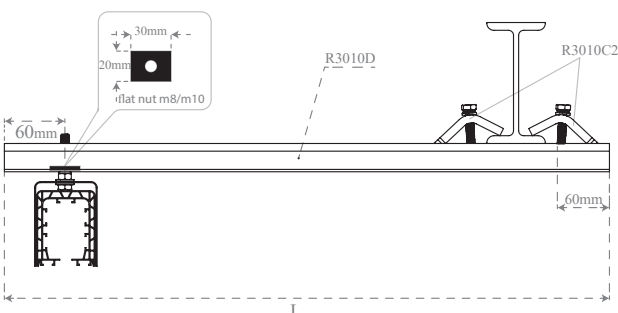
R3008C28/.... R3008C40/....

PVC Conductor Rail Hanger Sets

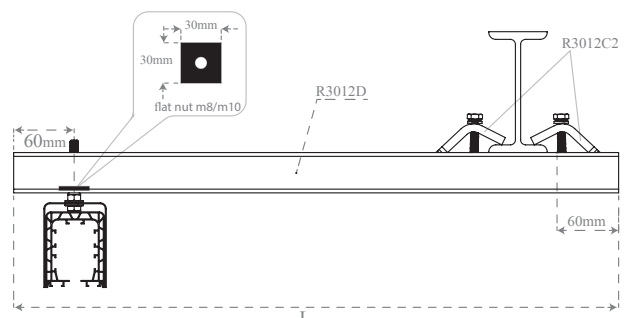
Product Code	R3008C28/.... R3008C40/....
Material	Steel (Galvanised)



R3008C28/....



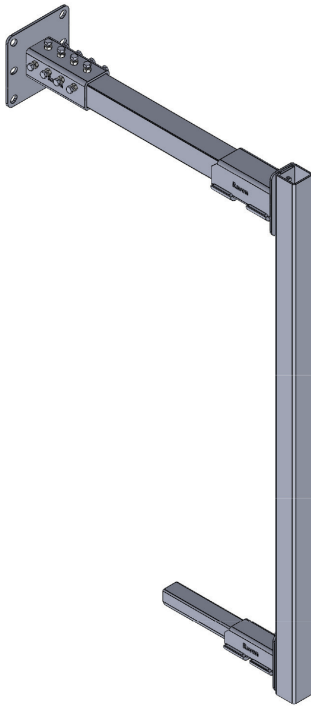
R3008C40/....



R3008B

Tow Arm Sets (B Type)

Product Code	R3008B
Material	Steel (Galvanised)



R3012U6VB
Support Attachment (6 hole) for Vertical Body Mounting (with fixing bolt) (3012 series)

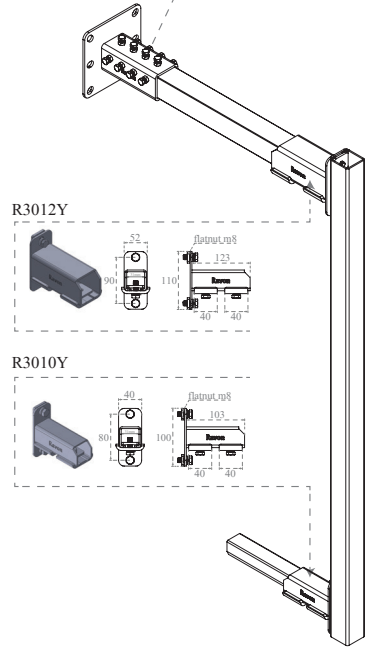
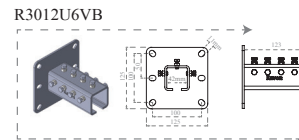
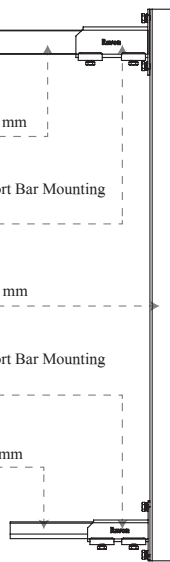
40x40x2,5 mm Square Bar (With Connection Hole) / 500 mm

R3012Y
Support Attachment for Support Bar Mounting (3012 series)

R3012B/920
Support Bar (3012 series) 920 mm

R3010Y
Support Attachment for Support Bar Mounting (3010 series)

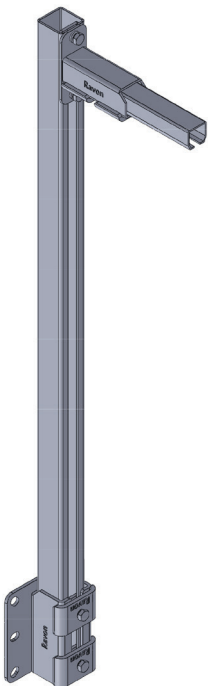
R3010B/200
Support Bar (3010 series) 200 mm



R3008E

Tow Arm Sets (E Type)

Product Code	R3008E
Material	Steel (Galvanised)

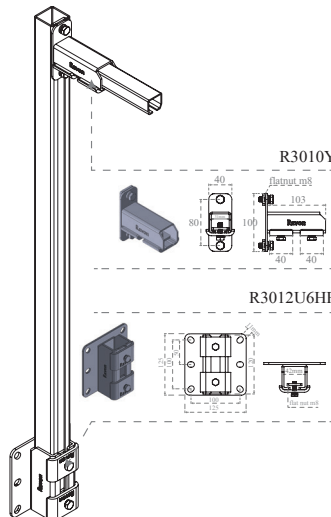
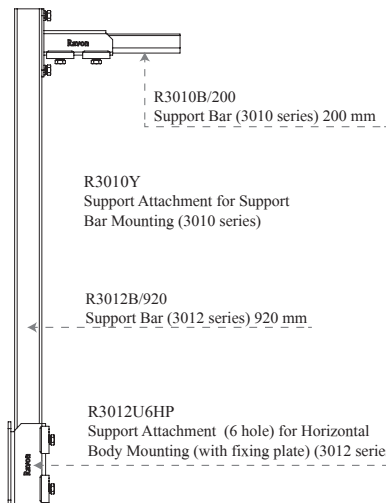


R3010B/200
Support Bar (3010 series) 200 mm

R3010Y
Support Attachment for Support Bar Mounting (3010 series)

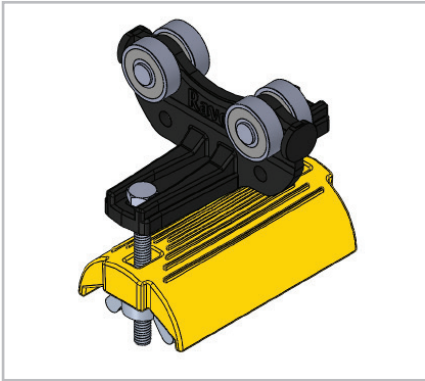
R3012B/920
Support Bar (3012 series) 920 mm

R3012U6HP
Support Attachment (6 hole) for Horizontal Body Mounting (with fixing plate) (3012 series)

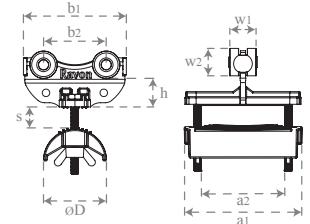


R3028T1/72-2

Plastic Cable Trolley for Platform Cables



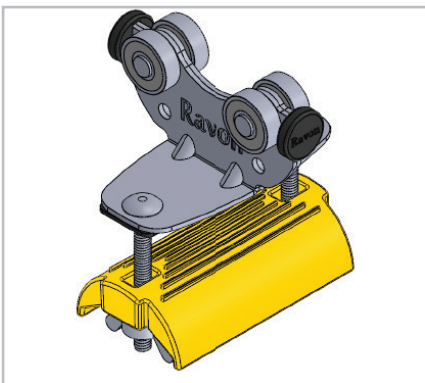
Product Code	R3028T1/72-2
Wheel	Steel Roller
Material	Carrier body polyamid Support saddle polyamid Hardware galvanized Temperature resistance -30°C to +70°C
Max.Cable Load	10 kg per carrier
Weight kg	0,16



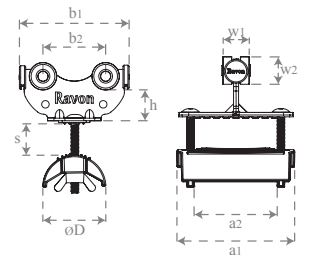
Dimensions / mm	a1	a2	b1	b2	s	h	w1	w2	øD
	92	72	82	50	16	22	21	22	50

R3028T3/72-2

Steel Trolley with Plastic Saddle for Platform Cables



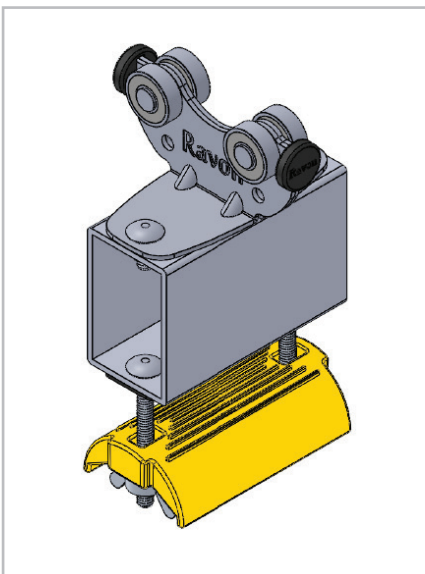
Product Code	R3028T3/72-2
Wheel	Steel Roller
Material	Carrier body steel Support saddle polyamid Hardware galvanized Temperature resistance -30°C to +70°C
Max.Cable Load	12 kg per carrier
Weight kg	0,25



Dimensions / mm	a1	a2	b1	b2	s	h	w1	w2	øD
	92	72	88	50	19	22	21	22	50

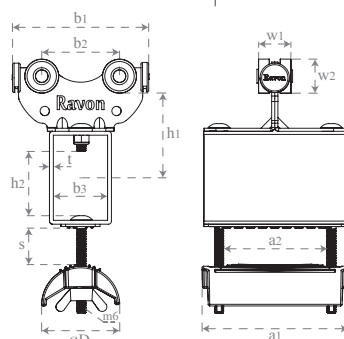
R3028P3/72-2

Towing Trolley with Plastic Saddle for Platform Cables



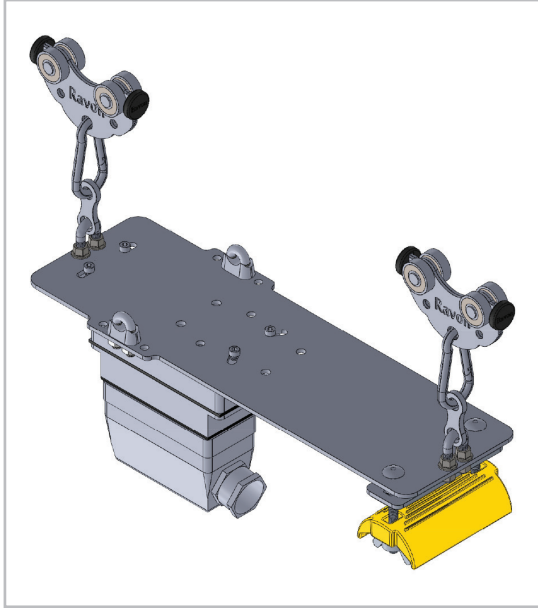
Product Code	R3028P3/72-2
Wheel	Steel Roller
Material	Carrier body steel Support saddle polyamid Hardware galvanized Temperature resistance -30°C to +70°C
Max.Cable Load	12 kg per carrier
Weight kg	0,56

Dimensions / mm	a1	a2	b1	b2	b3	t	s	h1	h2	w1	w2	øD
	92	72	88	50	35	2,5	19	55	42	21	22	50

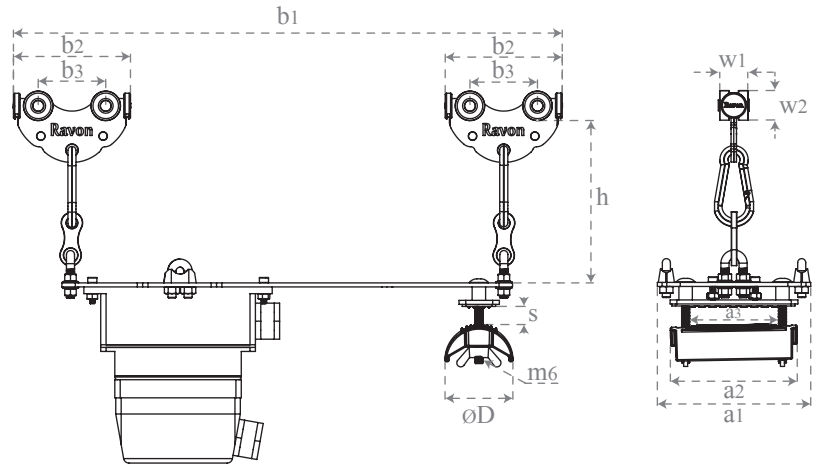


R3028F3/72-2

Pendant Station Trolley with Plastic Saddle for Flatform Cables

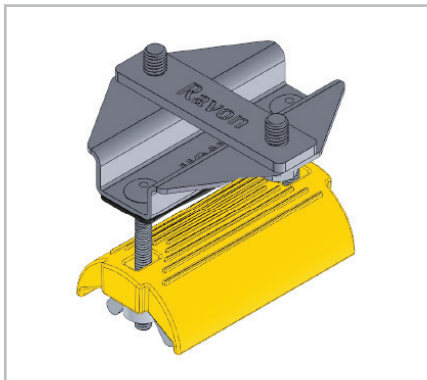


Product Code	R3028F3/72-2										
Wheel	Steel Roller										
Material	Carrier body steel Support saddle polyamid Hardware galvanized Temperature resistance -30°C to +70°C										
Max.Cable Load	12 kg per carrier										
Weight kg	1,30										
Dimensions / mm	a1	a2	a3	b1	b2	b3	h	w1	w2	∅D	s
	114	92	72	408	88	50	120	21	22	50	19

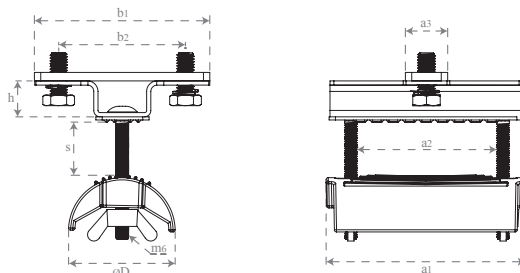


R3028H3/72-2

Start Clamp with Plastic Saddle for Flatform Cables



Product Code	R3028H3/72-2							
Material	Steel body Support saddle polyamid Hardware galvanized Temperature resistance -30°C to +70°C							
Max.Cable Load	12 kg per carrier							
Weight kg	0,25							
Dimensions / mm	a1	a2	a3	s	b1	b2	h	∅D
	92	72	20	19	82	60	17	50

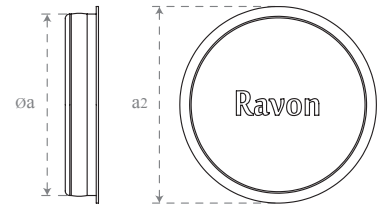


R3004-120 / 150

End Carriage Cap

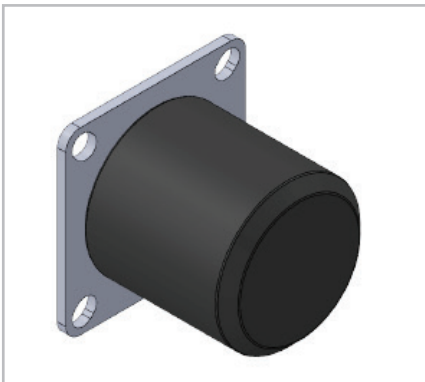


Product Code	Material	Weight kg	Dimensions (mm)	
			a1	a2
R-3004Y-120	PE	0,04	120	130
R-3004Y-150	PE	0,06	150	160

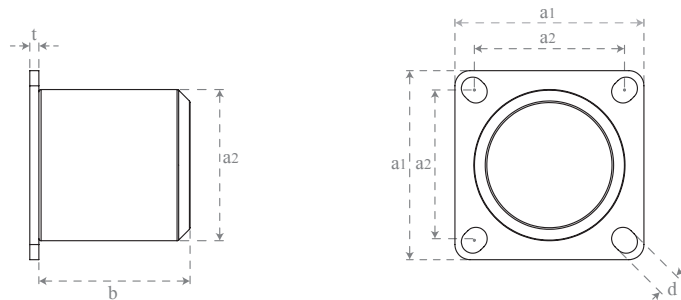


R3005T

Rubber Buffers with Mounting Plate



Product Code	Product	(Dimensions (mm)				
		a1	a2	b	d	t
R3005T-50x55	Rubber Buffers T50x55	65	50	55	7	3
R3005T-75x60	Rubber Buffers T75x60	95	75	60	11	4
R3005T-100x100	Rubber Buffers T100x100	125	100	100	15	6
R3005T-150x150	Rubber Buffers T150x150	200	150	150	17	8
R3005T-200x200	Rubber Buffers T200x200	250	200	200	21	10

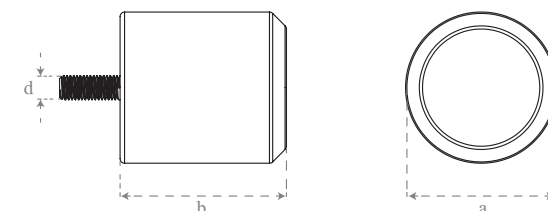


R3005C

Rubber Buffers with Mounting Bolt

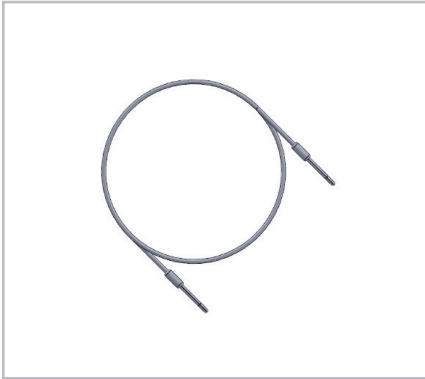


Product Code	Product	Dimensions (mm)		
		a	b	d
R3005C-15x20	Rubber Buffers C15x20	15	20	m6
R3005C-25x20	Rubber Buffers C25x20	25	20	m6
R3005C-30x30	Rubber Buffers C30x30	30	30	m6
R3005C-50x55	Rubber Buffers C50x55	50	55	m8
R3005C-75x60	Rubber Buffers C75x60	75	60	m12
R3005C-100x100	Rubber Buffers C100x100	100	100	m14
R3005C-150x150	Rubber Buffers C150x150	150	150	m16
R3005C-200x200	Rubber Buffers C200x200	200	200	m20

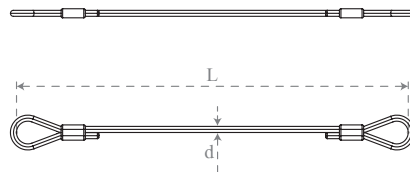


R3006R4/... R3006R6/...

Tow Rope



Product Code	Material	Dimensions (mm)
		d
R3006R4/...	Steel (PVC covered)	4
R3006R6/...	Steel (PVC covered)	6

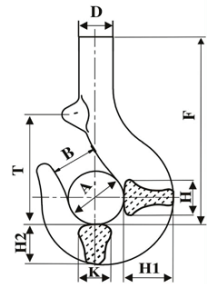


R3006K-1/...

Single Hooks



Product Code	Weight kg	Dimensions (mm)									
		a	b	d	f	h1	h2	h3	k	t	
NR 0.25	0,74	36	28	20	152	22	28	25	20	75	
NR 0.5	1,4	42	34	25	172	30	38	31	26	95	
NR 0.8	2,3	48	38	30	191	37	44	37	32	103	
NR 1	2,6	50	40	32	206	41	48	40	35	108	
NR 1.6	4,32	56	45	36	233	46	56	48	40	119	
NR 2.5	6,95	63	50	42	263	56	67	58	48	135	
NR 4	9,9	71	56	48	297	65	80	67	54	152	
NR 5	13,6	80	63	55	332	73	90	75	62	170	
NR 6	19,5	91	72	62	390	80	100	86	67	195	
NR 8	35,6	105	85	75	426	92	118	95	80	219	
NR 10	39	120	93	77	490	105	125	110	90	225	
NR 12	69	132	107	88	540	114	140	123	105	250	
NR 16	95	145	114	111	600	130	168	132	118	290	
NR 20	135	170	130	120	680	145	188	150	125	340	
NR 25	150	185	145	130	750	165	205	170	140	370	
NR 32	200	200	170	136	830	180	240	190	160	420	
NR 40	310	220	180	155	930	200	250	215	170	440	
NR 50	430	250	210	175	1000	224	280	236	190	485	

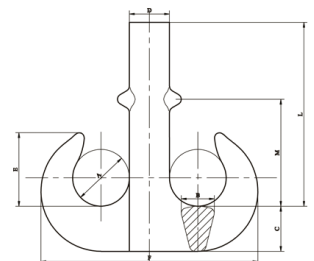


R3006K-2/...

Twin Hooks

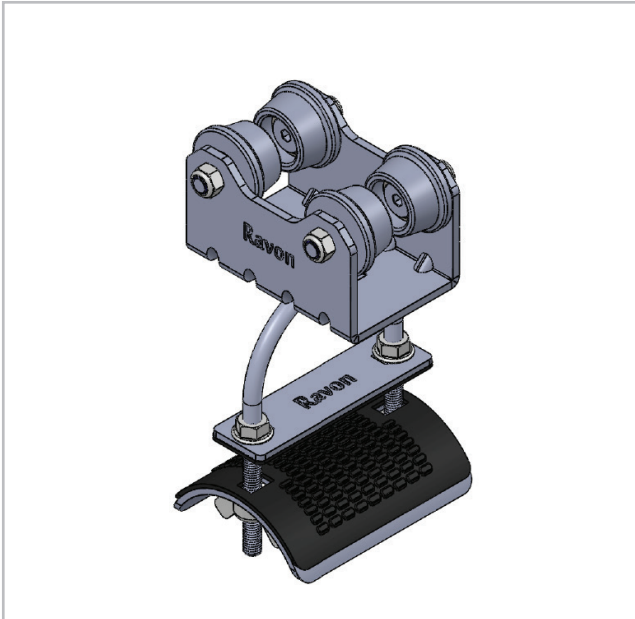


Product Code	Weight kg	Dimensions (mm)							
		a	b	c	d	e	f	L	
NR 8	25	80	67	85	67	103	337	415	
NR 10	35	90	75	95	75	116	377	450	
NR 12	49	100	85	106	85	130	421	510	
NR 16	69	112	95	118	95	146	471	580	
NR 20	97	125	106	132	106	163	531	650	
NR 25	135	140	118	150	118	182	598	715	
NR 32	193	160	132	170	132	205	672	790	
NR 40	280	180	150	190	150	230	754	885	
NR 50	388	200	170	212	170	260	842	965	

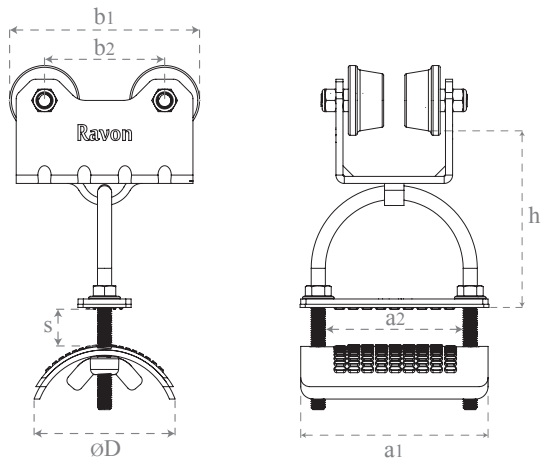


R4005T-U80

4005 Series I-Beam Cable Trolley (U Type)

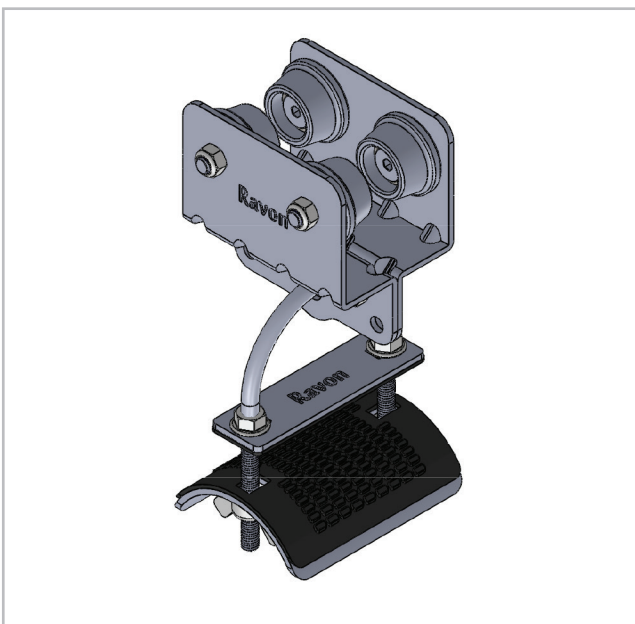


Product Code	R4005T-U80
Wheel	Steel galvanized
Material	Carrier body steel Support saddle steel Hardware galvanized Temperature resistance -30°C to +70°C
Max.Cable Load	40 kg per carrier
Dimensions / mm	a1 a2 b1 b2 h s øD
	106 82 108 68 100 14 80

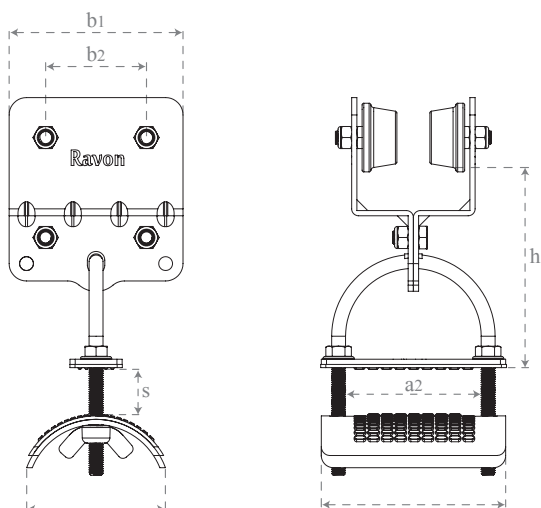


R4005T-K80

4005 Series I-Beam Cable Trolley (K Type)

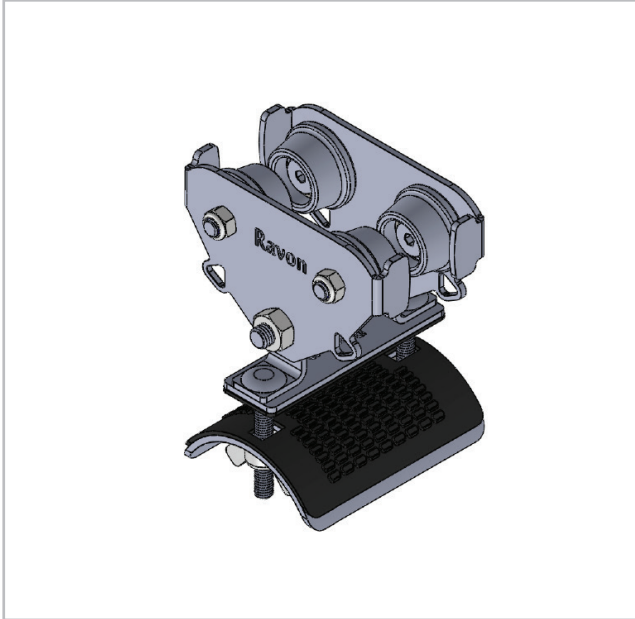


Product Code	R4005T-K80
Wheel	Steel galvanized
Material	Carrier body steel Support saddle steel Hardware galvanized Temperature resistance -30°C to +70°C
Max.Cable Load	40 kg per carrier
Dimensions / mm	a1 a2 b1 b2 h s øD
	106 82 100 58 115 19 80

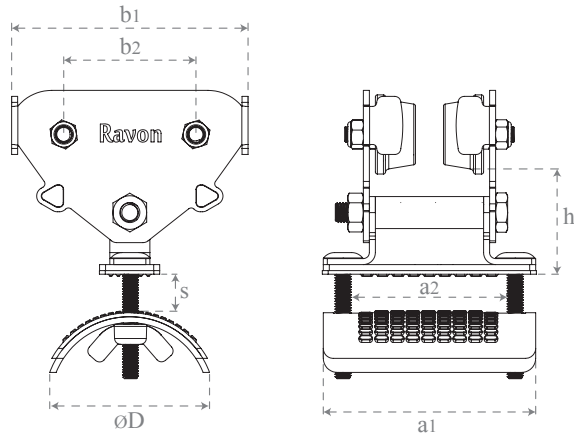


R4005T-Y80

4005 Series I-Beam Cable Trolley (Y type)

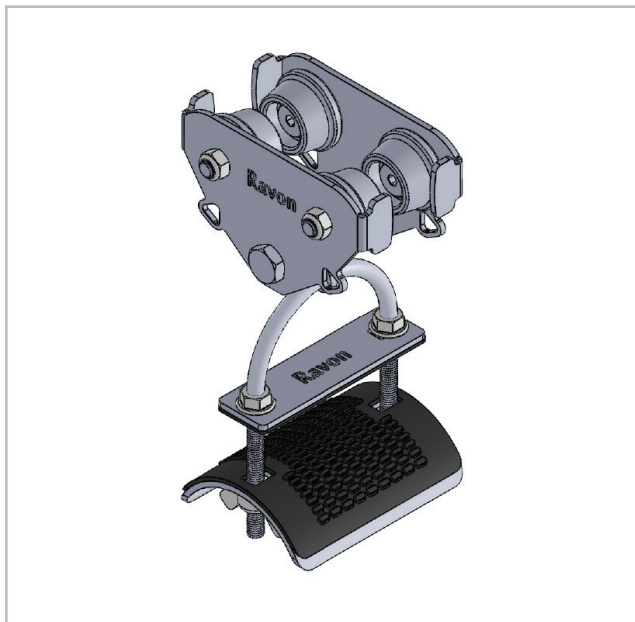


Product Code	R4005T-Y80
Wheel	Steel galvanized
Material	Carrier body steel Support saddle steel Hardware galvanized Temperature resistance -30°C to +70°C
Max.Cable Load	40 kg per carrier
Dimensions / mm	a1 a2 b1 b2 h s ϕ D
	106 82 118 66 52 19 80

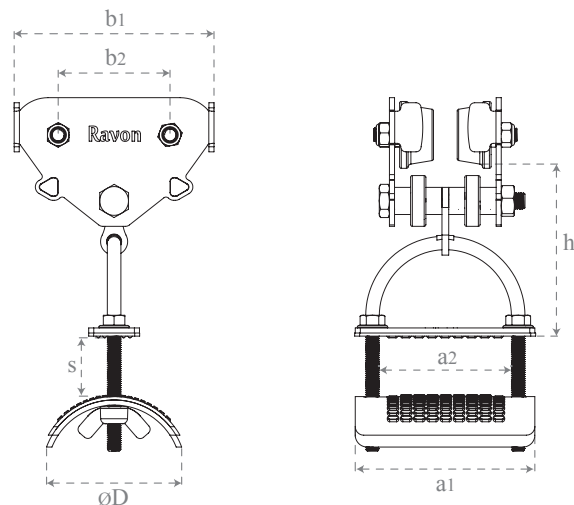


R4005T-A80

4005 Series I-Beam Cable Trolley (A Type)

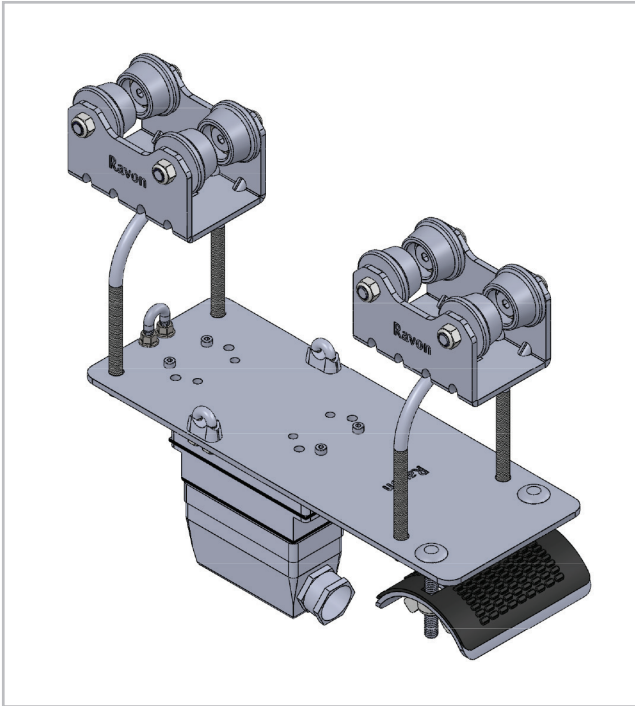


Product Code	R4005T-A80
Wheel	Steel galvanized
Material	Carrier body steel Support saddle steel Hardware galvanized Temperature resistance -30°C to +70°C
Max.Cable Load	40 kg per carrier
Dimensions / mm	a1 a2 b1 b2 h s ϕ D
	106 82 118 66 100 19 80



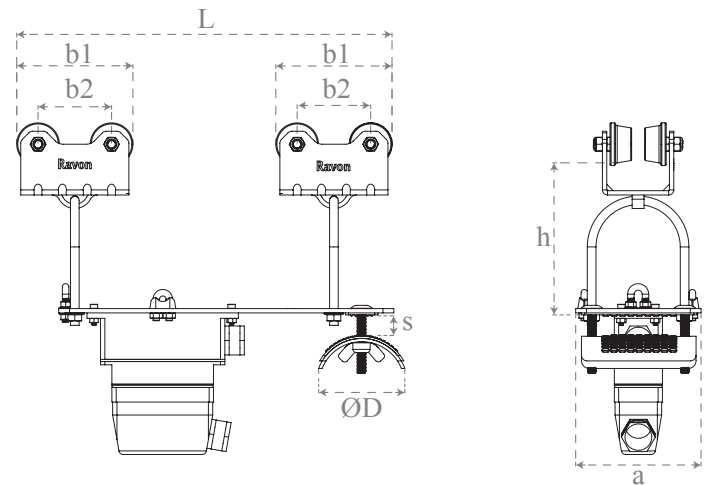
R4005F-U80

4005 Series I-Beam Pendant Station Trolley (U-Type)



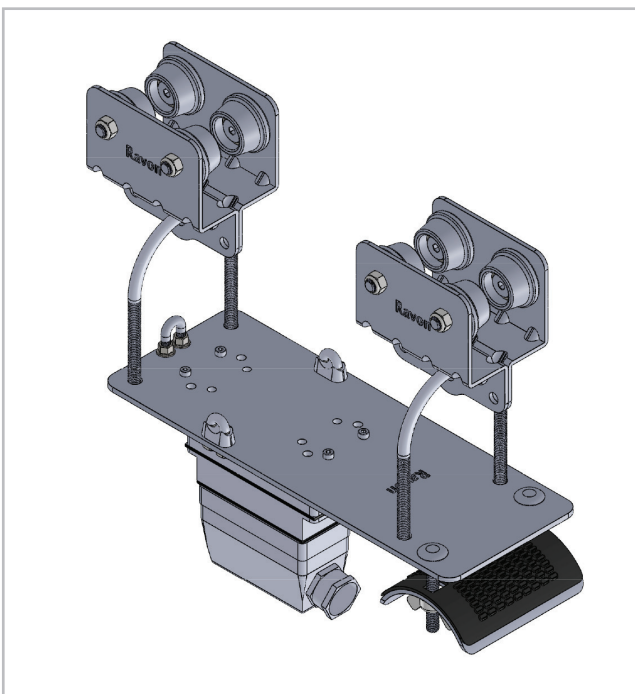
Product Code	R4005F-U80
Wheel	Steel galvanized
Material	Carrier body steel Support saddle steel Hardware galvanized Temperature resistance -30°C to +70°C
Max.Cable Load	40 kg per carrier

Dimensions / mm	a	b1	b2	s	h	L	øD
	116	108	68	14	148	347	80



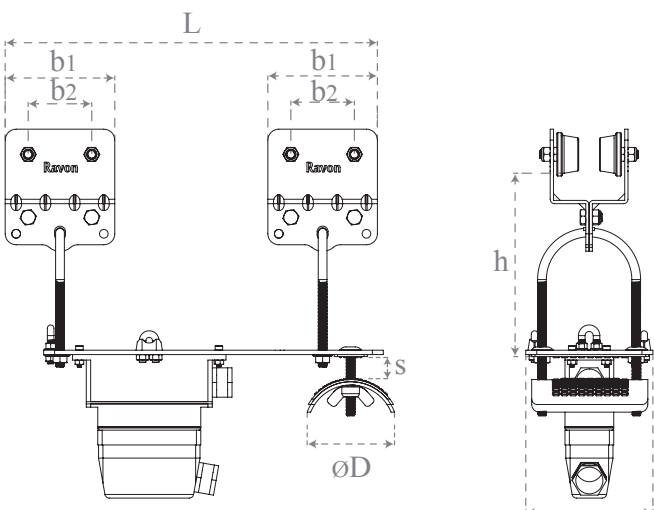
R4005F-K80

4005 Series I-Beam Pendant Station Trolley (K-Type)



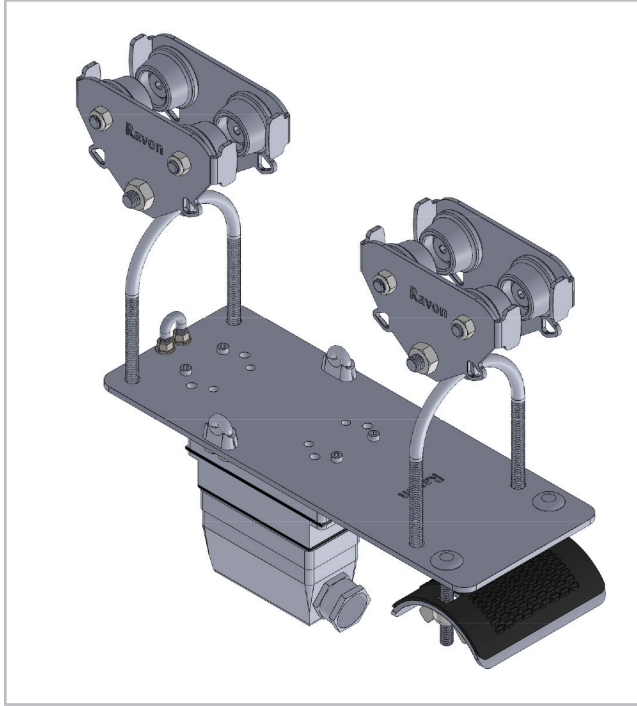
Product Code	R4005F-K80
Wheel	Steel galvanized
Material	Carrier body steel Support saddle steel Hardware galvanized Temperature resistance -30°C to +70°C
Max.Cable Load	40 kg per carrier

Dimensions / mm	a	b1	b2	s	h	L	øD
	116	100	58	19	160	340	80

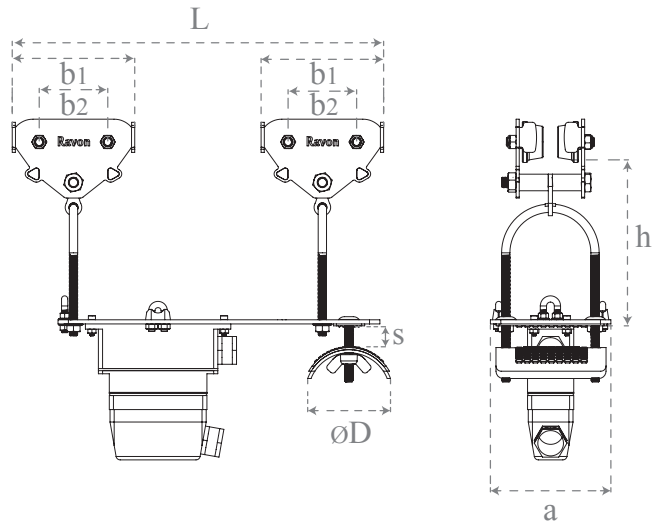


R4005F-Y80

4005 Series I-Beam Pendant Station Trolley (Y-Type)

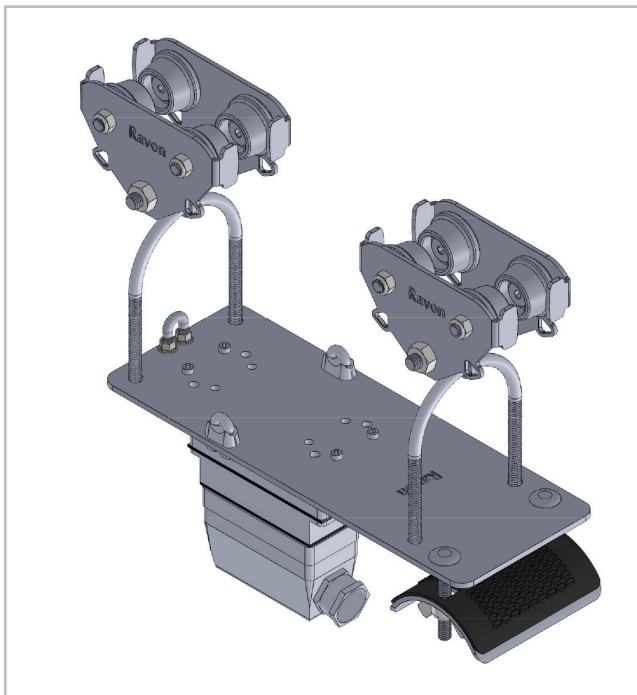


Product Code	R4005F-Y80						
Wheel	Steel galvanized						
Material	Carrier body steel Support saddle steel Hardware galvanized Temperature resistance -30°C to +70°C						
Max.Cable Load	40 kg per carrier						
Dimensions / mm	a	b1	b2	s	h	L	øD
	116	118	66	19	160	360	80

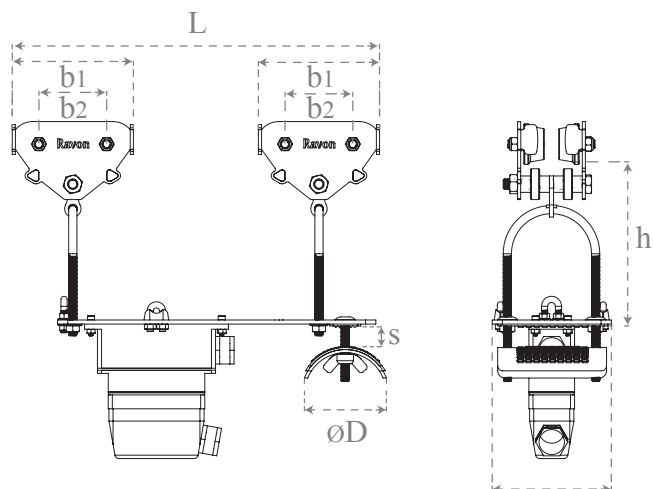


R4005F-A80

4005 Series I-Beam Pendant Station Trolley (A-Type)

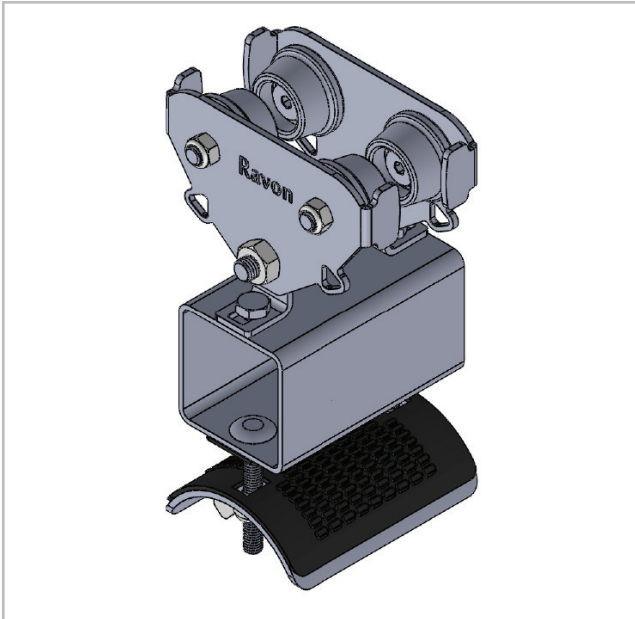


Product Code	R4005F-A80						
Wheel	Steel galvanized						
Material	Carrier body steel Support saddle steel Hardware galvanized Temperature resistance -30°C to +70°C						
Max.Cable Load	40 kg per carrier						
Dimensions / mm	a	b1	b2	s	h	L	øD
	116	118	66	19	160	360	80



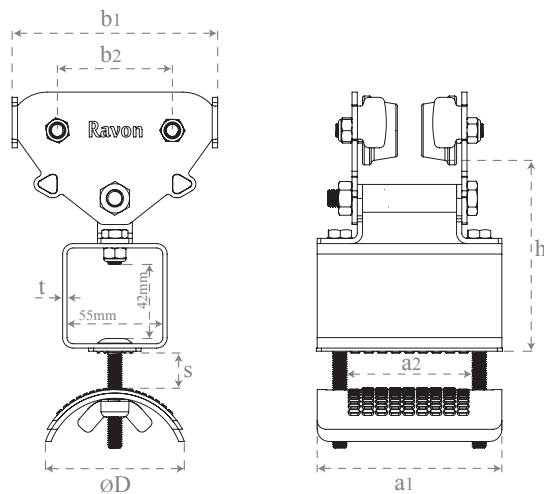
R4005P-Y80

4005 Series I-Beam Tow Trolley (Y Type)



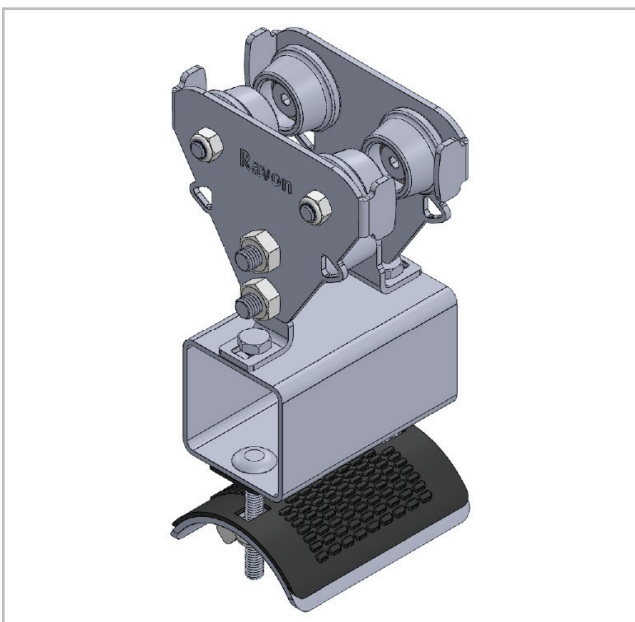
Product Code	R4005P-Y80
Wheel	Steel galvanized
Material	Carrier body steel Support saddle steel Hardware galvanized Temperature resistance -30°C to +70°C
Max.Cable Load	40 kg per carrier

Dimensions / mm	a1	a2	b1	b2	h	t	s	øD
	106	82	118	66	110	2,5	19	80



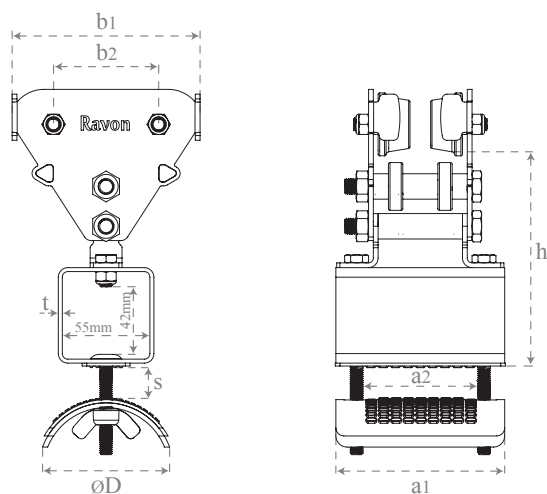
R4005P-A80

4005 Series I-Beam Tow Trolley (A Type)



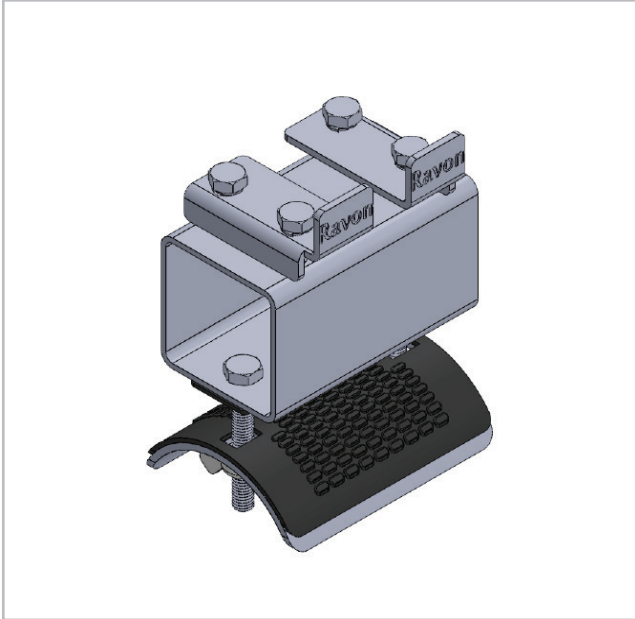
Product Code	R4005P-A80
Wheel	Steel galvanized
Material	Carrier body steel Support saddle steel Hardware galvanized Temperature resistance -30°C to +70°C
Max.Cable Load	40 kg per carrier

Dimensions / mm	a1	a2	b1	b2	h	t	s	øD
	106	82	118	66	135	2,5	19	80

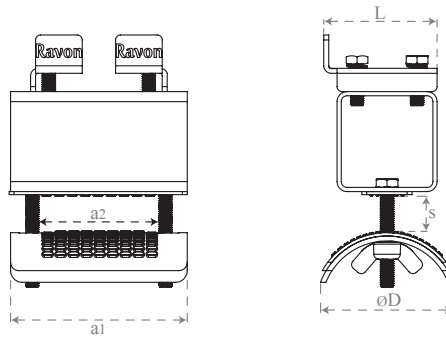


R4005H-80

4005 Series I-Beam Start Clamp

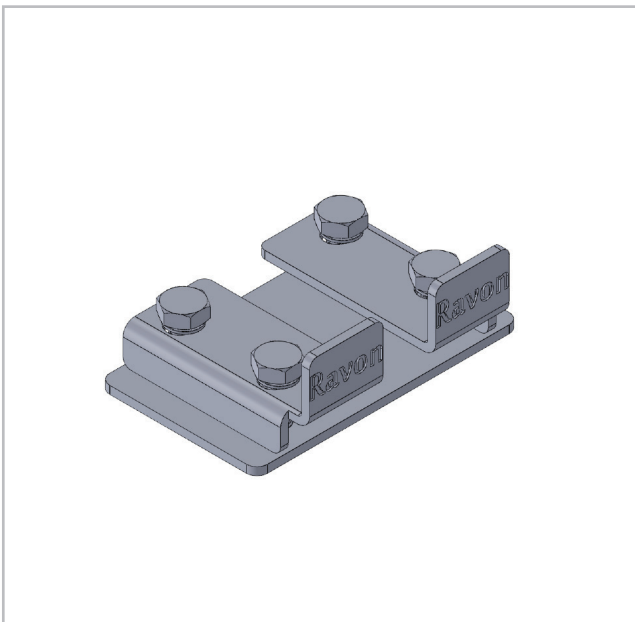


Product Code	R4005H-80				
Material	Steel Body Support saddle steel Hardware galvanized Temperature resistance -30°C to +70°C				
Max.Cable Load	40 kg per carrier				
Dimensions / mm	L	a1	a2	s	∅D
	68	106	82	19	80

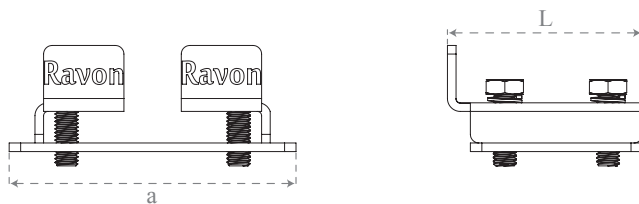


R4005L-80

4005 Series I-Beam End Clamp

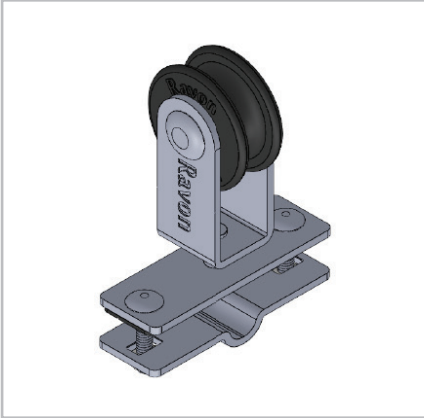


Product Code	R4005L-80	
Material	Steel (Galvanised)	
Dimensions / mm	a	L
	100	68

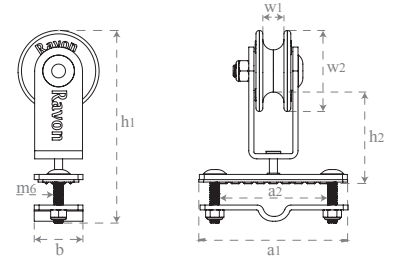


R500R031

GFR Trolley for Roundform Cables



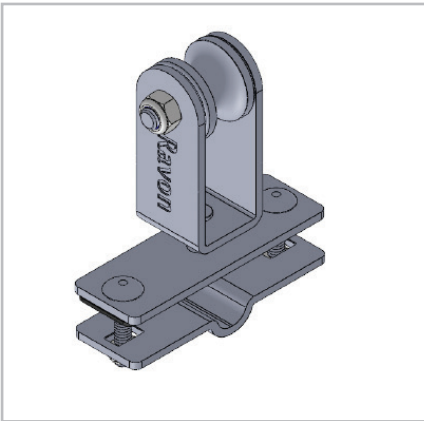
Product Code	R500R031
Wheel	POM/PA(GFR)
Material	Carrier body steel Support saddle steel Hardware galvanized Temperature resistance -30°C to +70°C
Max.Cable Load	8 kg per carrier



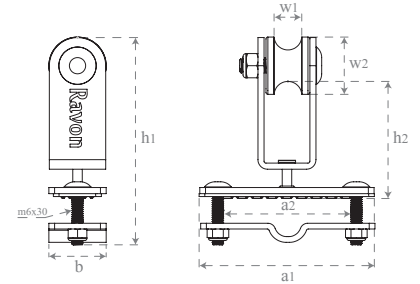
Dimensions / mm	a1	a2	b	h1	h2	w1	w2
	92	72	30	120	55	12	50

R500R032

Steel Trolley for Roundform Cables



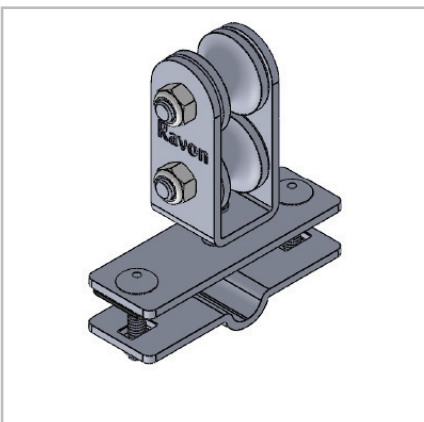
Product Code	R500R032
Wheel	Steel
Material	Carrier body steel Support saddle steel Hardware galvanized Temperature resistance -30°C to +70°C
Max.Cable Load	12 kg per carrier



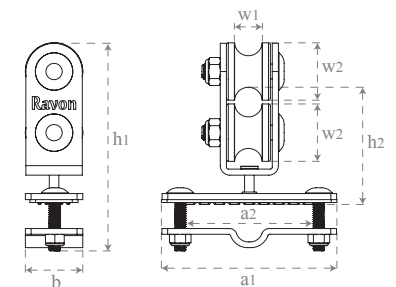
Dimensions / mm	a1	a2	b	h1	h2	w1	w2
	92	72	30	110	60	14	30

R500R049

Steel Trolley With Two Wheels for Roundform Cables



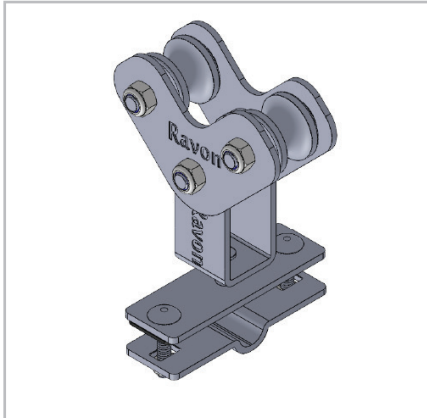
Product Code	R500R049
Wheel	Steel
Material	Carrier body steel Support saddle steel Hardware galvanized Temperature resistance -30°C to +70°C
Max.Cable Load	12 kg per carrier



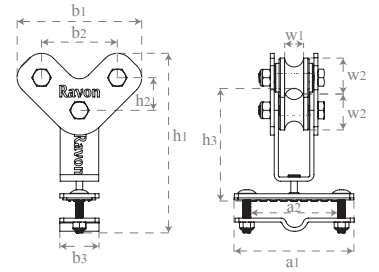
Dimensions / mm	a1	a2	b	h1	h2	w1	w2
	92	72	30	108	60	14	30

R500R039

Steel Trolley With Three Wheels for Roundform Cables (6-8mm Rope Application)



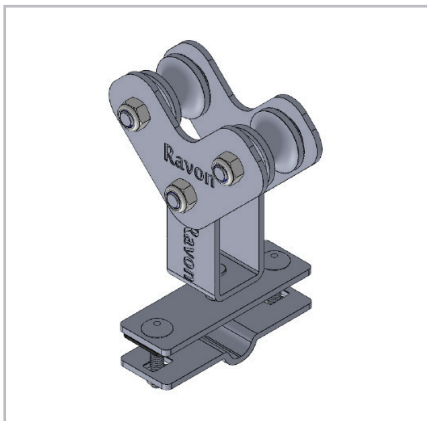
Product Code	R500R039
Wheel	Steel
Material	Carrier body steel Support saddle steel Hardware galvanized Temperature resistance -30°C to +70°C
Max.Cable Load	15 kg per carrier



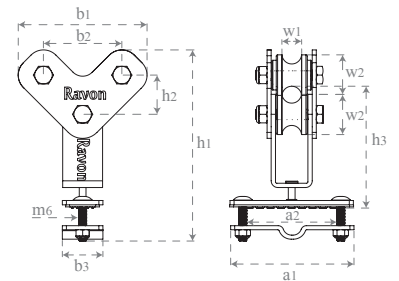
Dimensions / mm	a1	a2	b1	b2	b3	h1	h2	h3	w1	w2
	92	72	95	58	30	140	25	86	14	30

R500R043

Steel Trolley With Three Wheels for Roundform Cables (10-12mm Rope Application)



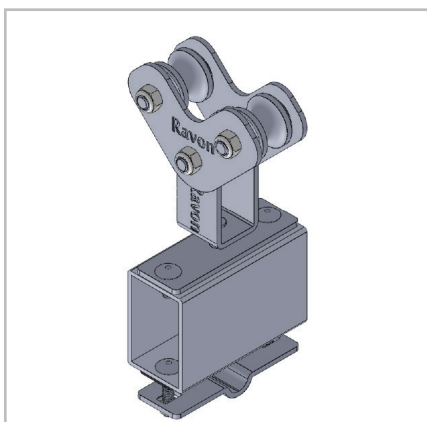
Product Code	R500R043
Wheel	Steel
Material	Carrier body steel Support saddle steel Hardware galvanized Temperature resistance -30°C to +70°C
Max.Cable Load	15 kg per carrier



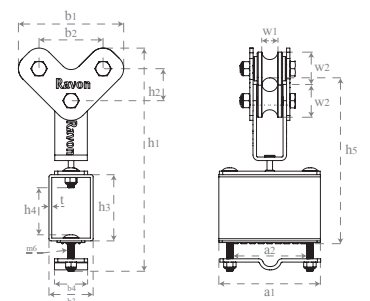
Dimensions / mm	a1	a2	b1	b2	b3	h1	h2	h3	w1	w2
	92	72	95	58	30	140	29	90	14	30

R500R041 / R500R047

Towing Trolley for Roundform Cables (6-8/10-12 mm Rope Application)



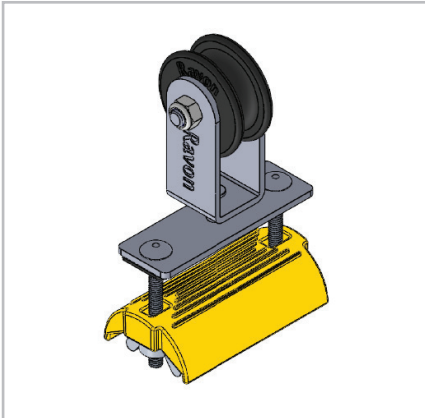
Product Code	R500R041 / R500R047
Wheel	Steel
Material	Carrier body steel Support saddle steel Hardware galvanized Temperature resistance -30°C to +70°C
Max.Cable Load	15 kg per carrier



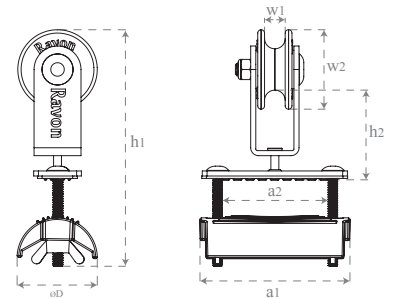
Dimensions / mm	a1	a2	b1	b2	b3	b4	h1	h2	h3	h4	h5	w1	w2	t
R500R041	92	72	95	58	40	30	200	25	60	42	146	14	30	2,5
R500R047	92	72	95	58	40	30	200	29	60	42	150	14	30	2,5

R500R035

GFR Trolley for Platform Cables



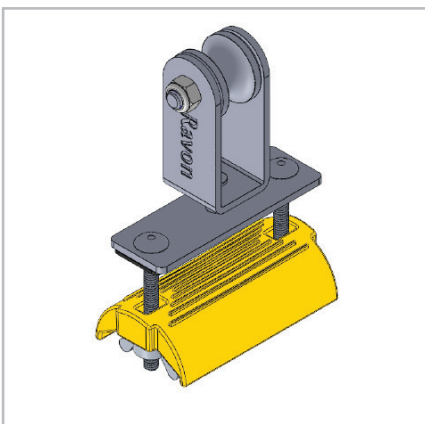
Product Code	R500R035
Wheel	POM/PA(GFR)
Material	Carrier body steel Support saddle polyamid Hardware galvanized Temperature resistance -30°C to +50°C
Max.Cable Load	8 kg per carrier



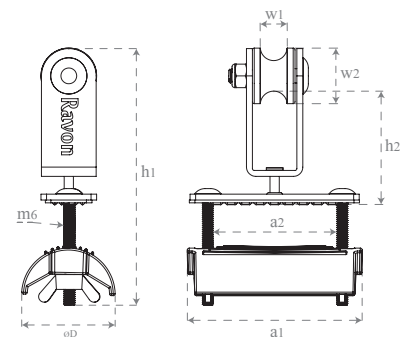
Dimensions / mm	a1	a2	h1	h2	w1	w2	øD
	92	72	150	55	12	50	50

R500R036

Steel Trolley for Platform Cables



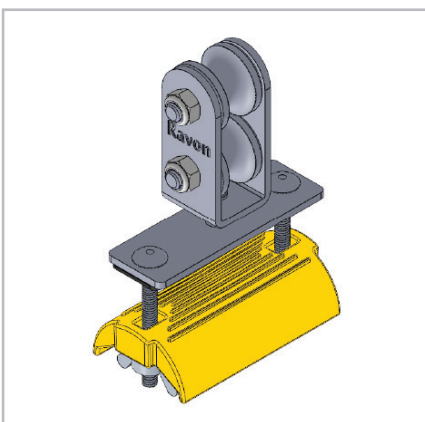
Product Code	R500R036
Wheel	Steel
Material	Carrier body steel Support saddle polyamid Hardware galvanized Temperature resistance -30°C to +70°C
Max.Cable Load	12 kg per carrier



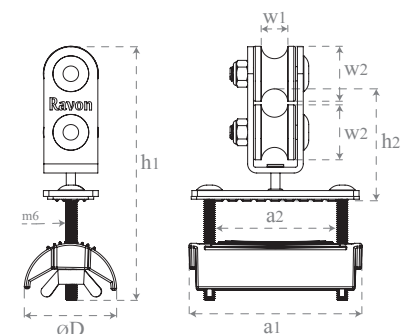
Dimensions / mm	a1	a2	h1	h2	w1	w2	øD
	92	72	140	60	14	30	50

R500R050

Steel Trolley With Two Wheels for Platform Cables



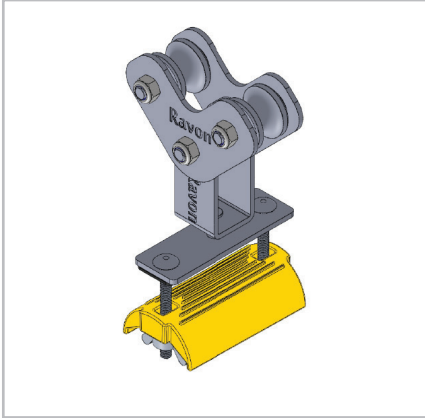
Product Code	R500R050
Wheel	Steel
Material	Carrier body steel Support saddle polyamid Hardware galvanized Temperature resistance -30°C to +70°C
Max.Cable Load	12 kg per carrier



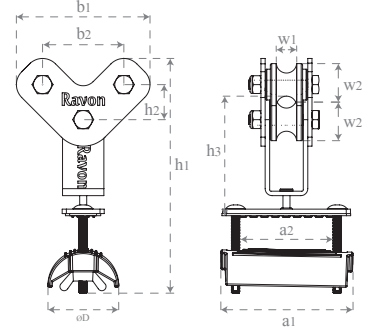
Dimensions / mm	a1	a2	h1	h2	w1	w2	øD
	92	72	140	60	14	30	50

R500R040

Steel Trolley With Three Wheels for Flatform Cables(6-8mm Rope Application)



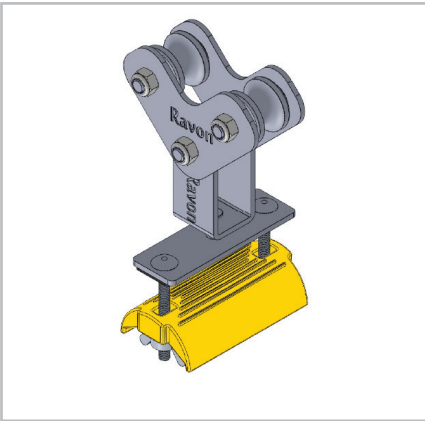
Product Code	R500R040
Wheel	Steel
Material	Carrier body steel Support saddle polyamid Hardware galvanized Temperature resistance -30°C to +70°C
Max.Cable Load	15 kg per carrier



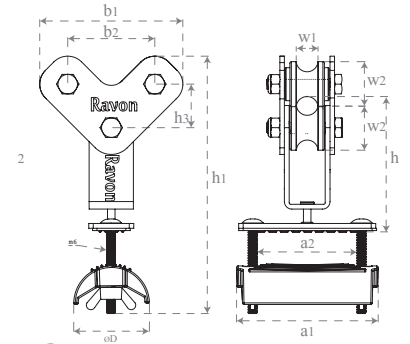
Dimensions / mm	a1	a2	b1	b2	h1	h2	h3	w1	w2	∅D
	92	72	95	52	170	25	85	14	30	50

R500R044

Steel Trolley With Three Wheels for Flatform Cables (10-12mm Rope Application)



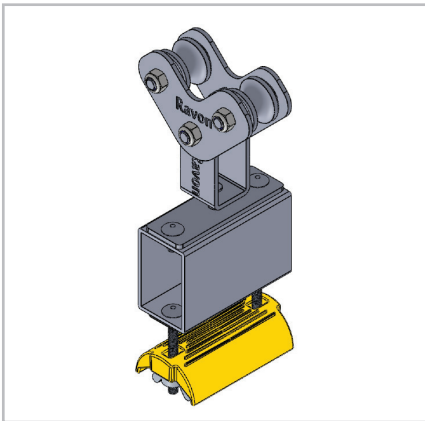
Product Code	R500R044
Wheel	Steel
Material	Carrier body steel Support saddle polyamid Hardware galvanized Temperature resistance -30°C to +70°C
Max.Cable Load	15 kg per carrier



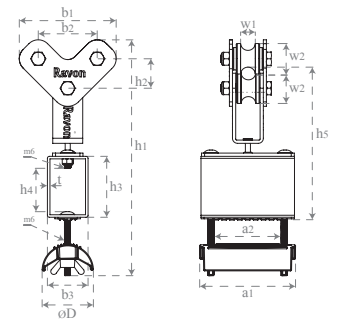
Dimensions / mm	a1	a2	b1	b2	h1	h2	h3	w1	w2	∅D
	92	72	95	58	170	90	29	14	30	50

R500R042 / R500R048

Steel Trolley for Flatform Cables



Product Code	R500R042 / R500R048
Wheel	Steel
Material	Carrier body steel Support saddle polyamid Hardware galvanized Temperature resistance -30°C to +70°C
Max.Cable Load	15 kg per carrier



Dimensions / mm	a1	a2	b1	b2	b3	h1	h2	h3	h4	h5	w1	w2	t	∅D
R500R042	92	72	95	58	40	230	25	60	42	146	14	30	2,5	50
R500R048	92	72	95	58	40	230	29	60	42	150	14	30	2,5	50